

# Designed For Reliability..

## SEDIMENT SAMPLERS

### General Description

HyQuest Solutions Bedload Sampler Model BLSH is a handheld sampler for wading measurements in natural streams carrying coarse sediments.

The unit is supplied with wading rods, for lowering sampler in the stream or river.

### Features

- Hand Held Sampler
- Easy to use
- Used for wading rod measurements
- Field sample weighing system
- Cast aluminium construction

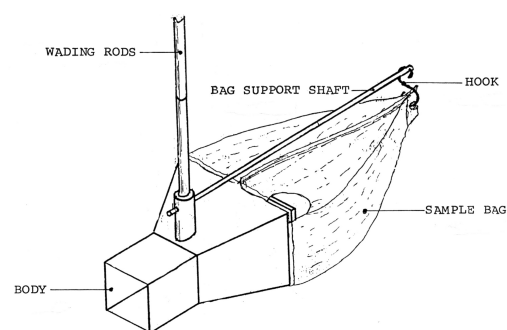
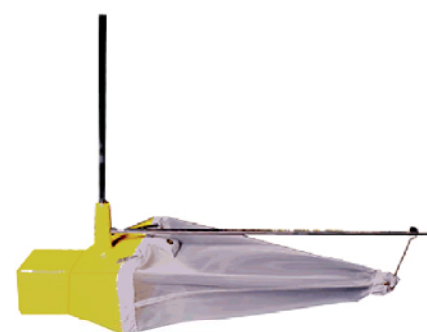
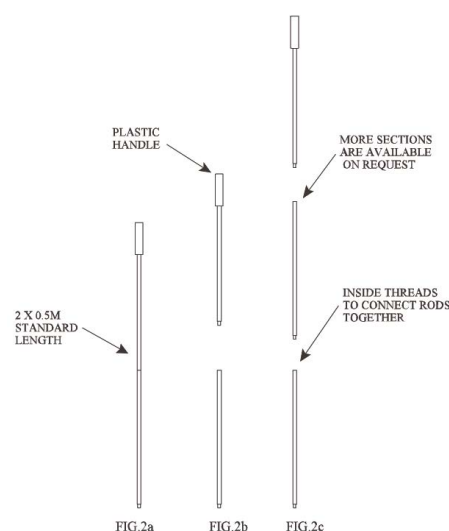
### Specifications

- Orifice: 76mm x 76mm
- Expansion Ratio 3.22 (Exit Area to Entrance Area)
- Body: Epoxy coated cast aluminium
- Wading Rods: (2 X 0.5 m ) Stainless Steel sections supplied as standard; additional 0.5 m sections are available on request
- Sample Bag: Polyester mono filament bag of 0.2mm mesh - will not absorb water.
- Carry Bag: Canvas
- Packed Weight : 4 kg
- Packed Dimension: (700x300x300) mm

Figure 2 shows the wading rods used to lower sampler in stream or river. All wading rods are fitted with plastic handle at the top end for easier grip.

Figure 2a shows the standard length supplied with the unit.

Figure 2b and Figure 2c shows that rods have inside threads so more sections can be purchased and screwed together to achieve the desired length.



**Model BLSH**  
**Hand Held Bed Load Sampler**

N.B. Specifications are subject to change at any time without notice.

## Contact Us

### General Enquiries (Australia)

Phone: +61 2 9601 2022

Email: [sales@hyquestsolutions.com.au](mailto:sales@hyquestsolutions.com.au)

Web: [www.hyquestsolutions.com.au](http://www.hyquestsolutions.com.au)

### General Enquiries (New Zealand)

Phone: +64 (0) 7 857 0810

Email: [sales@hyquestsolutions.co.nz](mailto:sales@hyquestsolutions.co.nz)

Web: [www.hyquestsolutions.co.nz](http://www.hyquestsolutions.co.nz)

